

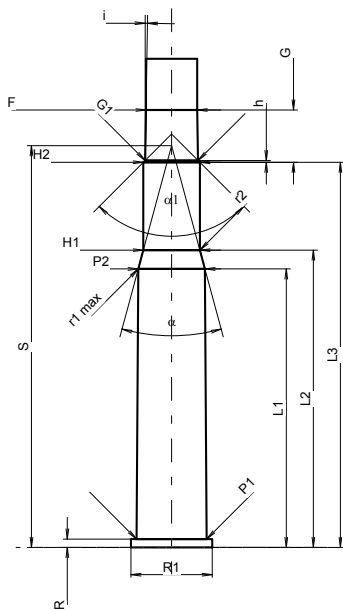
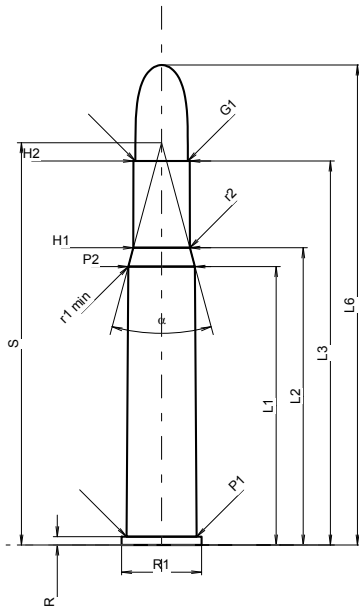
C.I.P.**450/400 N.E. 3"**

TAB. II

Date 84-06-14

Révision 08-04-15

Pays d'origine: GB



Échelle 1:1.5

Dimensions en << mm >>
Dimensions et tolérances pour les canons
d'épreuve: Voyez Annexe CR 1.

CARTOUCHE MAXI**Longueurs**

L1 *	=	55.26
L2 *	=	59.00
L3 ¹⁾	=	76.20
L4	=	
L5	=	
L6	=	95.25

Culot

R ¹⁾	=	1.65	-0.25
R1	=	15.87	
R3	=		
E	=		
E1	=		
e min	=		
δ	=		
f	=		
β	=		

Chambre à poudre

P1	=	13.92
P2 *	=	13.21

Cône de raccordement

α	=	30°04'56"
S	=	79.84
r1 min	=	14.53
r2	=	14.53

Collet

H1 *	=	11.20
H2 ¹⁾	=	11.18

Projectile

G1 ¹⁾	=	10.41
G2	=	
F	=	
L3+G ¹⁾	=	86.58

Pressions (Énergies)**Méthode transducteur**

Pmax	=	2800 bar
PK	=	3220 bar
PE	=	3500 bar
M	=	25.00
EE	=	5310 Joule

Autres indications

Fe ¹⁾⁴⁾	=	0.15
delta L	=	

CHAMBRE MINI**Longueurs**

L1 *	=	55.29
L2 *	=	59.02
L3 ¹⁾	=	76.45

Cuvette

R ¹⁾	=	1.68
R1	=	16.13
R2	=	
R3	=	
r	=	

Chambre à poudre

E	=	
P1 ¹⁾	=	13.94
P2 *	=	13.24

Cône de raccordement

α ¹⁾	=	30°18'8"
S	=	79.74
r1 max	=	14.53
r2	=	14.53

Collet

H1 *	=	11.22
H2 ¹⁾	=	11.20

Prise de rayures

G1 ¹⁾ *	=	10.50
G ¹⁾ *	=	10.38
α1	=	90°
h *	=	0.35
s	=	
i ¹⁾	=	0°58'16"
w	=	

Canon

F ¹⁾ *	=	10.16
Z ¹⁾	=	10.41

Rayures

b	=	3.56
N	=	7
u	=	381.00
Q	=	84.25 mm ²

Notes: 1) A' contrôler pour la sécurité
4) Feuillure sur la bourrelet
* Dimensions de base