

C.I.P.**470 N.E.**

TAB.

II

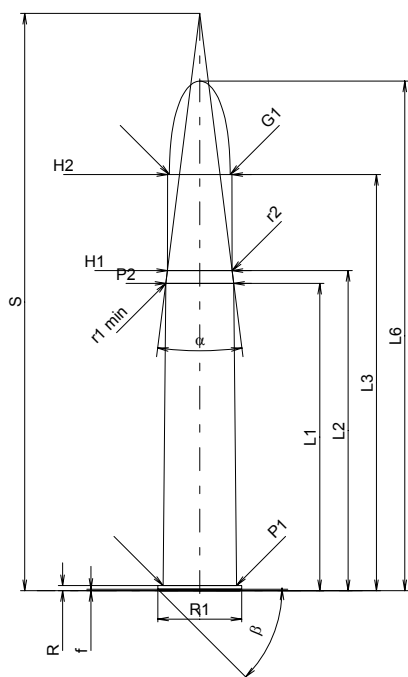
Date

84-06-14

Pays d'origine: GB

Révision

02-05-15

**CARTOUCHE MAXI****Longueurs**

| | | |
|------------------|---|--------|
| L1 [*] | = | 60.96 |
| L2 [*] | = | 63.50 |
| L3 ¹⁾ | = | 82.55 |
| L4 | = | |
| L5 | = | |
| L6 | = | 101.09 |

Colot

| | | | |
|-----------------|---|-------|-------|
| R ¹⁾ | = | 1.02 | -0.25 |
| R1 | = | 16.64 | |
| R3 | = | | |
| E | = | | |
| E1 | = | | |
| e min | = | | |
| delta | = | | |
| f | = | 0.30 | |
| beta | = | 45° | |

Chambre à poudre

| | | |
|-----------------|---|-------|
| P1 | = | 14.55 |
| P2 [*] | = | 13.49 |

Cône de raccordement

| | | |
|--------|---|-----------|
| alpha | = | 14°21'40" |
| S | = | 114.50 |
| r1 min | = | 6.35 |
| r2 | = | 6.35 |

Collet

| | | |
|------------------|---|-------|
| H1 [*] | = | 12.85 |
| H2 ¹⁾ | = | 12.80 |

Projectile

| | | |
|--------------------|---|-------|
| G1 ¹⁾ | = | 12.04 |
| G2 | = | |
| F | = | |
| L3+G ¹⁾ | = | 91.51 |

Pressions (Énergies)**Méthode transducteur**

| | | |
|------|---|------------|
| Pmax | = | 2700 bar |
| PK | = | 3105 bar |
| PE | = | 3375 bar |
| M | = | 25.00 |
| EE | = | 6957 Joule |

Autres indications

| | | |
|------------------|---|------|
| Fe ¹⁾ | = | 0.15 |
| delta L | = | |

CHAMBRE MINI**Longueurs**

| | | |
|------------------|---|-------|
| L1 [*] | = | 60.99 |
| L2 [*] | = | 63.53 |
| L3 ¹⁾ | = | 82.80 |

Cuvette

| | | |
|-----------------|---|-------|
| R ¹⁾ | = | 1.04 |
| R1 | = | 16.89 |
| R2 | = | |
| R3 | = | |
| r | = | |

Chambre à poudre

| | | |
|------------------|---|-------|
| E | = | |
| P1 ¹⁾ | = | 14.58 |
| P2 [*] | = | 13.51 |

Cône de raccordement

| | | |
|--------|---|-----------|
| alpha | = | 14°08'20" |
| S | = | 115.46 |
| r1 max | = | |
| r2 | = | |

Collet

| | | |
|------------------|---|-------|
| H1 [*] | = | 12.88 |
| H2 ¹⁾ | = | 12.83 |

Prise de rayures

| | | |
|--------------------|---|----------|
| G1 ¹⁾ * | = | 12.10 |
| G ¹⁾ * | = | 8.96 |
| alpha1 | = | 90° |
| h [*] | = | 0.37 |
| s | = | |
| i ¹⁾ | = | 0°50'01" |
| w | = | |

Canon

| | | |
|-------------------|---|-------|
| F ¹⁾ * | = | 11.85 |
| Z ¹⁾ | = | 12.05 |

Rayures

| | | |
|---|---|------------------------|
| b | = | 3.84 |
| N | = | 7 |
| u | = | 533.00 |
| Q | = | 112.69 mm ² |

Échelle 1:1.5

Dimensions en << mm >>
Dimensions et tolérances pour les canons
d'épreuve: Voyez Annexe CR 1.

Notes: 1) A' contrôler pour la sécurité
* Dimensions de base