

C.I.P.**450 Short**

TAB. IV

Date 84-06-14

Pays d'origine: GB

Révision 00-06-07

CARTOUCHE MAXI**CHAMBRE MINI****Longueurs**

L1	=	
L2	=	
L3 ¹⁾	=	17.60
L4	=	
L5	=	
L6	=	28.50

Longueurs

L1	=	
L2	=	
L3 ¹⁾	=	17.80

Colot

R ¹⁾	=	1.10	-0.25
R1	=	12.95	
R3	=		
E	=		
E1	=		
e min	=		
δ	=		
f	=	0.30	
β	=	45°	

Cuvette

R ¹⁾	=	1.10
R1	=	13.00
R2	=	
R3	=	
r	=	

Chambre à poudre

P1	=	12.18
P2	=	

Chambre à poudre

E	=	
P1 ¹⁾	=	12.22
P2	=	

Cône de raccordement

α	=	
S	=	
r1 min	=	
r2	=	

Cône de raccordement

α	=	
S	=	
r1 max	=	
r2	=	

Collet

H1	=	
H2 ¹⁾	=	12.17

Collet

H1	=	
H2 ¹⁾	=	12.20

Projectile

G1 ¹⁾	=	11.58
G2	=	
F	=	
L3+G ¹⁾	=	20.27

Prise de rayures

G1 ^{1)*}	=	11.58
G ^{1)*}	=	2.67
α1	=	90°
h [*]	=	0.31
s	=	
i ¹⁾	=	4°
w	=	

Pressions (Énergies)**Méthode transducteur**

Pmax	=	720 bar
PK	=	828 bar
PE	=	936 bar
M	=	8.00

Canon

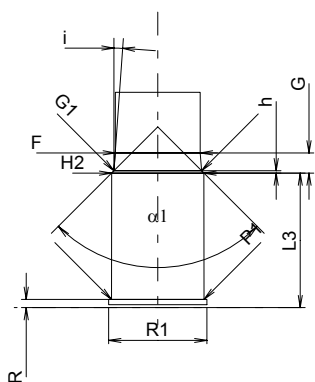
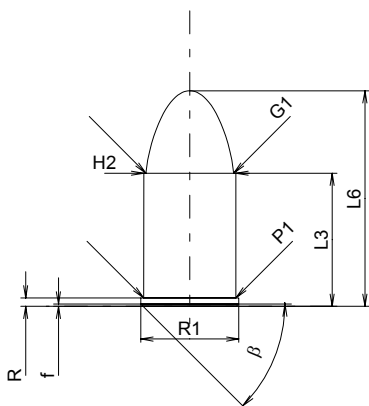
F ^{1)*}	=	11.25
Z ¹⁾	=	11.48

Rayures

b	=	3.78
N	=	5
u	=	500.00
Q	=	101.60 mm ²

Autres indications

Fe ¹⁾	=	0.25
delta L	=	



Échelle 1:1

Dimensions en << mm >>
Dimensions et tolérances pour les canons
d'épreuve: Voyez Annexe CR 1.

Notes: 1) A' contrôler pour la sécurité
* Dimensions de base